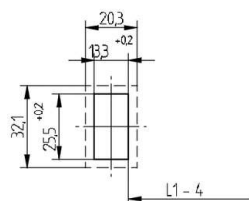
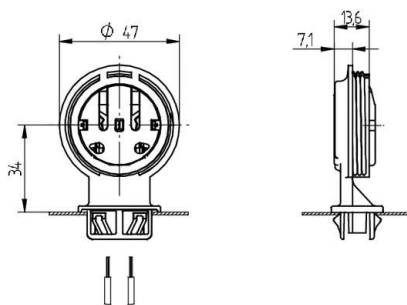


 Create pdf

Fluorescent lampholders water and dustproof

27.240.U304

G13 - Twin slot lamp insertion Snap in foot 25.5 x 13.3 mm






colour	pkg.	wt.	part no.
white	100	16 g	27.240.U304.50
grey	100	16 g	27.240.U304.81

Wiring: via snap in foot

Lamp centre: 34 mm
Snap in foot 25.5 x 13.3 mmHousing: PC
Rotor: PBT

- Max. permissible temperature T_m at the rear of the lampholder: 110° C
- Quick and easy wiring achieved by tapered wiring channels
- Tensile interior of lampholder provides a lamp length tolerance compensation of 3 mm per pair of lampholders
- Suitable gaskets: 27.240.-716, 27.240.-726

L1-4: Recommended cut-out spacing . "L1" distance is determined by the length of the respective lamp.

T 140		 0.5 - 1.0 mm ²	 0.6 - 2.1	IP 65/67
-------	---	--	--	-------------

Document generated on: Th, 9. February 2017 - 12:03